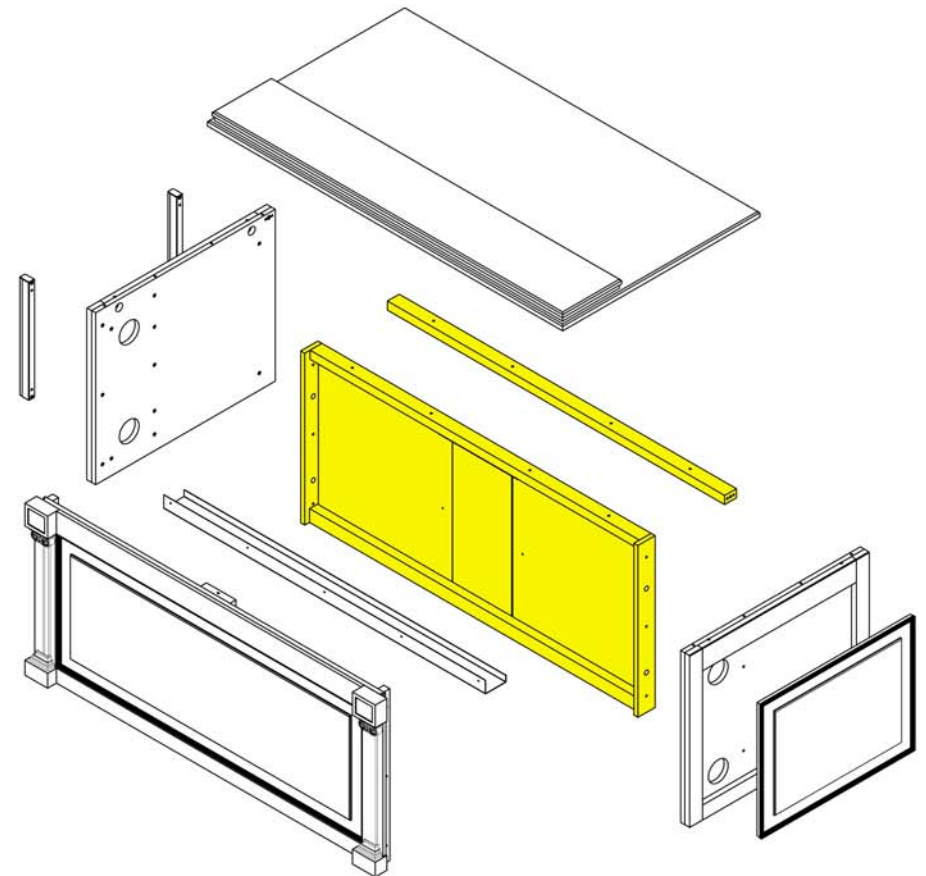
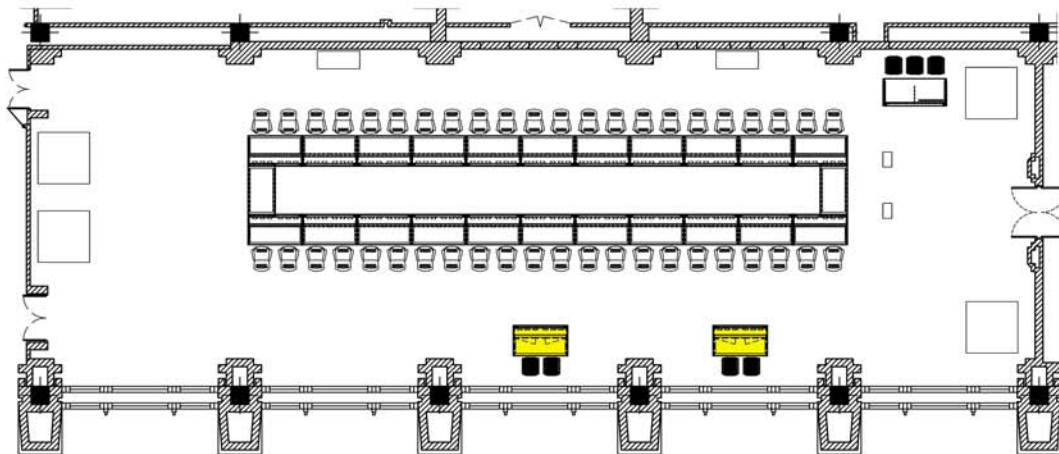
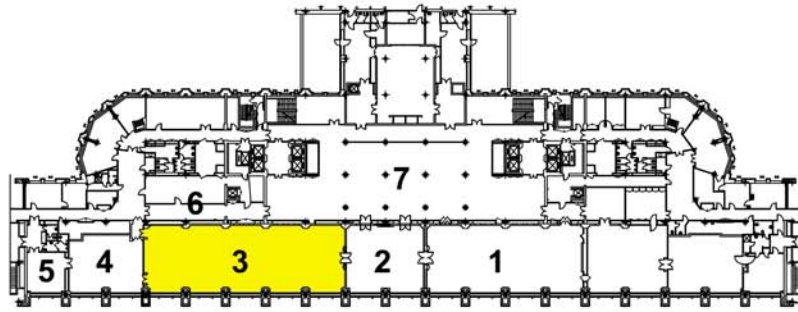


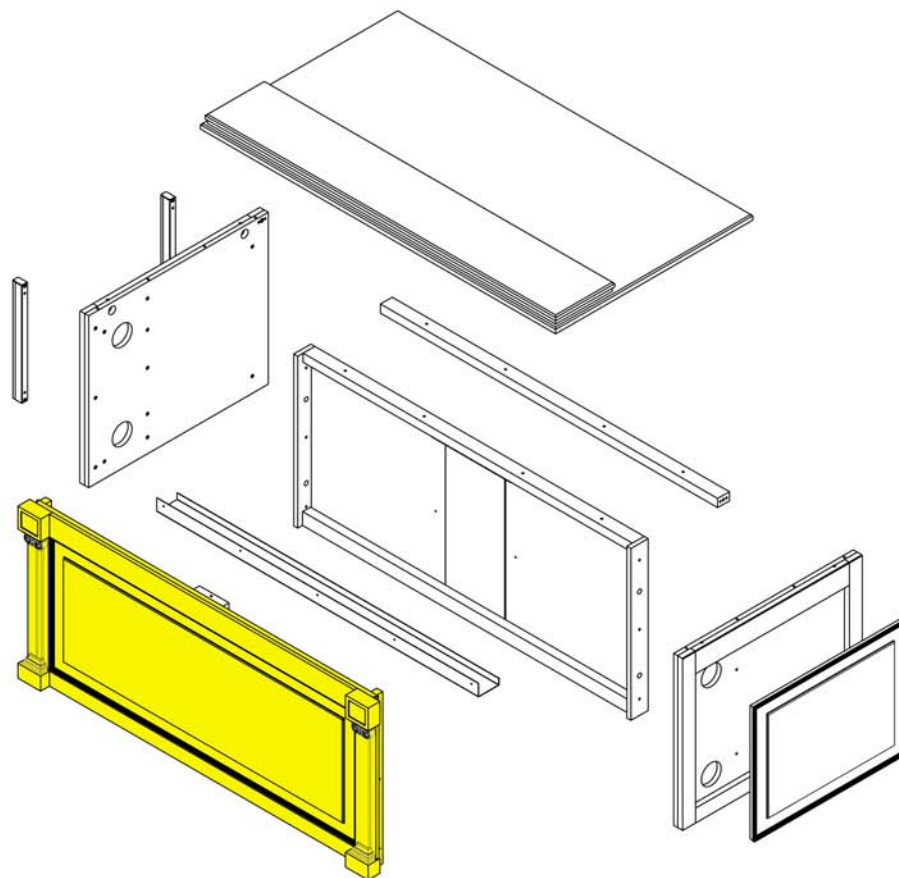
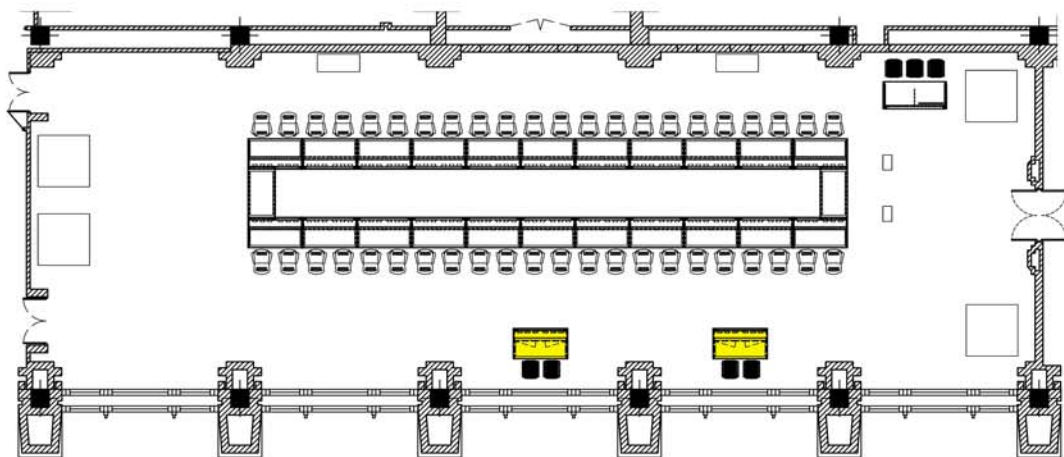
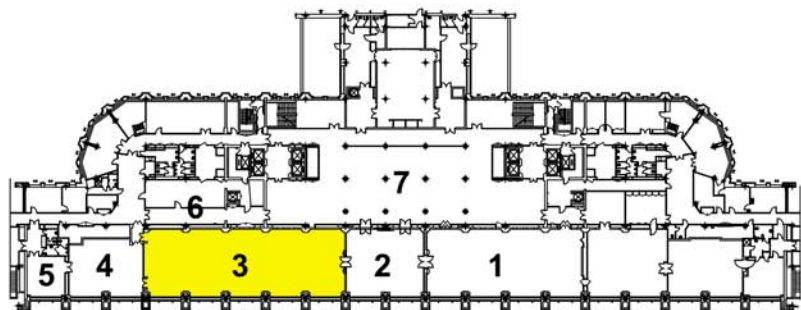
HALL 3 - Ref. 3.1 - CONFERENCE TABLE - Ref. 3.7 - 3.8 - SECRETARY DESK

CONTENTS : NR. 4 FRAMES WITH DOORS + 4 HORIZONTAL RAILS



HALL 3 - Ref. 3.1 - CONFERENCE TABLE - Ref. 3.7 - 3.8 - SECRETARY DESK

CONTENTS : NR. 4 FRONTAL PANELS



HALL 3 - Ref. 3.1 - CONFERENCE TABLE

LEFT CORNER TABLES

CONTENTS : NR. 2 LEFT FRONTAL PANELS

